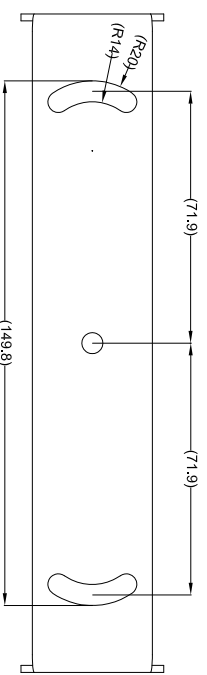
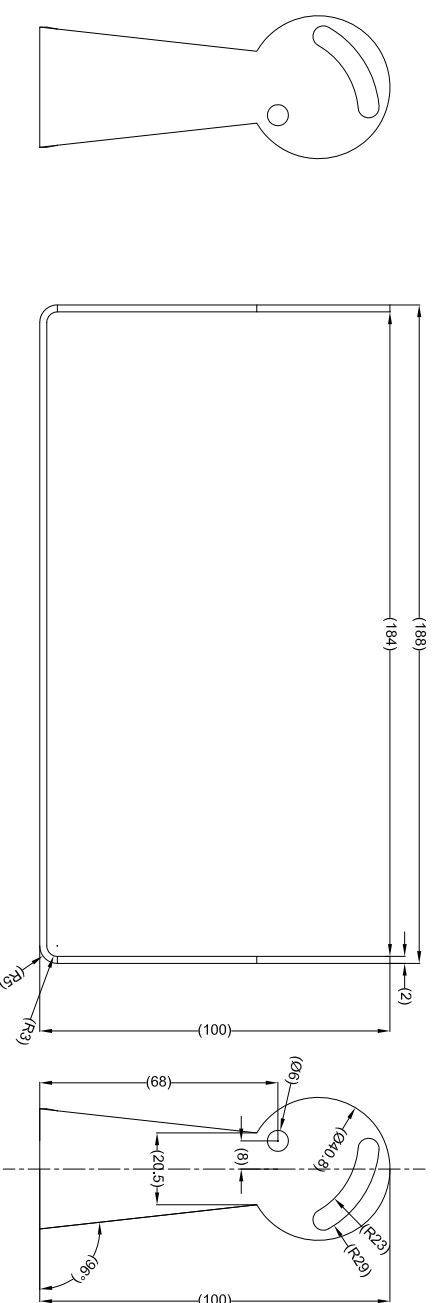
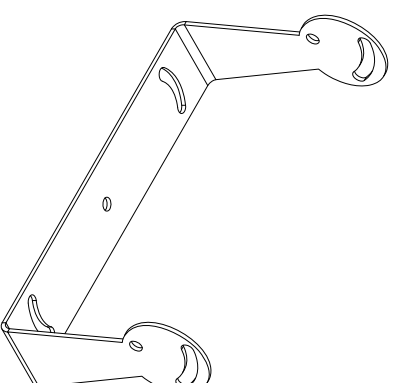


Revision Notes:			
1. TEMPLATE AND DIMENSIONS UPDATED			
Checked By: LB	Approved By: DK	Date Released: 19/03/12	



- NOTES:**
1. DIMENSIONS IN MM.
 2. FINISH: BLACK
 3. MATERIAL: STEEL 1.5T
 4. ALL BURS TO BE REMOVED FROM SHARPE EDGES.
 5. STOCK CODE 3199 IS SUPPLIED WITH 4 X THUMB SCREWS.

PROPRIETARY NOTICE
 THIS DESIGN AND TECHNICAL INFORMATION APPEARING ON THIS DRAWING IS THE PROPERTY OF BRIGADE ELECTRONICS, AND IS DISCLOSED IN CONFIDENCE. IT IS NOT TO BE COPIED, REPRODUCED, REVEALED TO OR EXPLOITED BY OTHERS, EITHER IN WHOLE OR IN PART WITHOUT THE EXPRESS WRITTEN CONSENT OF BRIGADE ELECTRONICS.



Assembly PI Approval Xinyu Huang(29/10/12)		Approved by DKERAI		Checked by BCHLDS		Drawn by MBUTLER	
Angle of Projection 		Units mm	Scale N/A	Released 15/06/10	Assembly Ref 32030033300		
Status RELEASED		Stock Code 3199		BMM-018 BE-001083-01-10			